



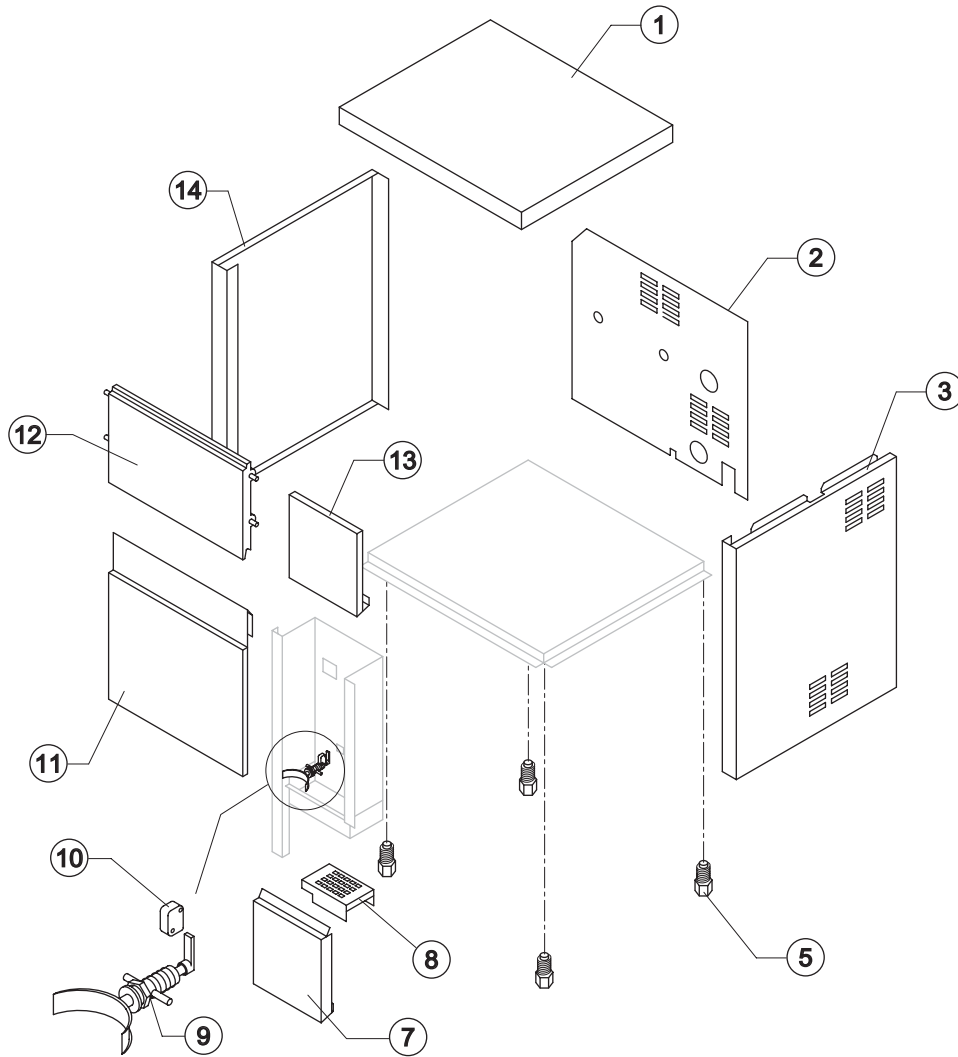
SHELL ASSY

COOLING SYSTEM

HYDRAULIC CIRCUIT

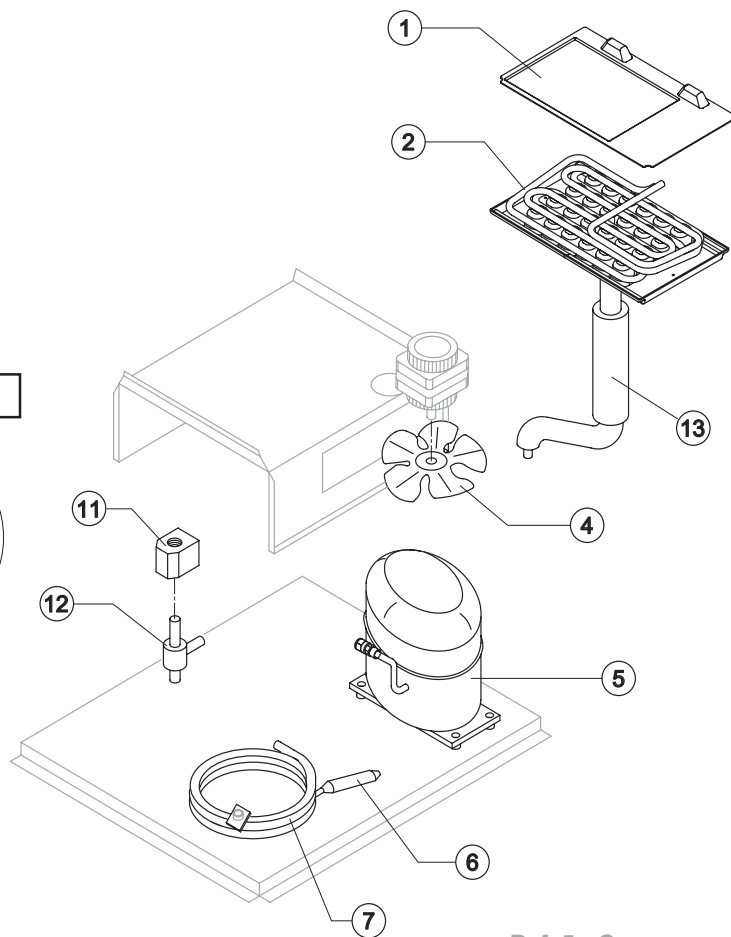
SPRAYER PUMP

ELECTRIC PARTS



Ref.	Spare Description	Code
1	Top Assembly	C22199
2	Rear Panel	21414
3	Right Side Panel	22200
5	Foot	10017
7	Basin Cover Panel	22190
8	Glass Support	22183
9*	Ice Dispenser Push Button Assembly	C26544
10*	Microswitch	23055
11	Front Panel (Bin Side)	22189
12	Dark Grey Door	10277
13	Tap Cover	22197
14	Left Side Panel	22201

Rev. 14 - 12/03/2019



Ref.	Spare Description	Code
1	Evaporator Cover Panel	From s/n. 225973 10455
2	Evaporator	D10079
4	Pressing Fan	Till s/n. 410297 20193
5	Compressor	See Table
6*	Molecular Drier	14009
7	Water Condenser	Current Version 14634
7	Water Condenser	Till s/n. 410297 14100
11*	Hot Gas Valve Coil	See Table
12*	Hot Gas Valve Body	Current Version 20853
12	Hot Gas Valve Body	Till s/n. 410297 20410
13	Suctin Line	for the spare parts code give us the s/n.

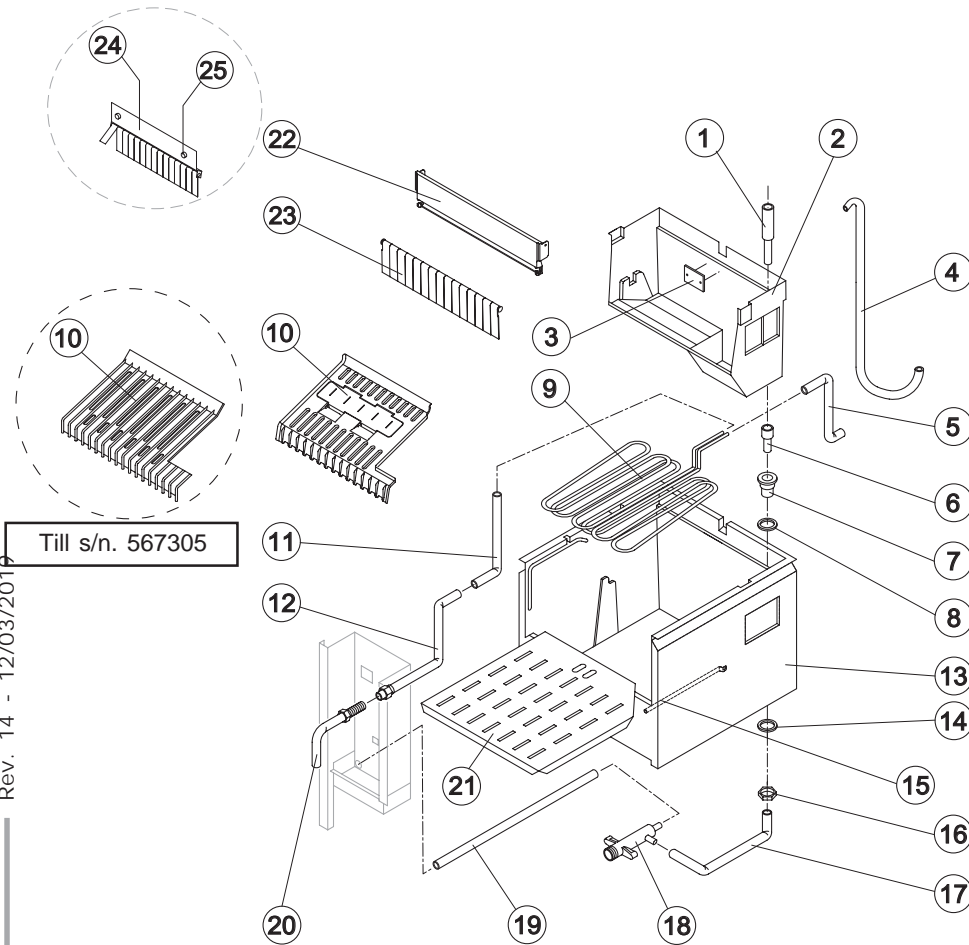
Rev. 14 - 12/03/2019

Ref. 5 - Compressor

Tension	Code Current Version	Code Till s/n. 410297
220-240V ~ 50Hz	23886	23436
220-230V ~ 60Hz	23494A	23494
110-115V ~ 60Hz	-	23446

Ref. 11* - Hot Gas Valve Coil

Tension	Code Current Version	Code Till s/n. 410297
220-240V ~ 50Hz	23854	231294
220-230V ~ 60Hz	23854	231294
110-115V ~ 60Hz	-	23256

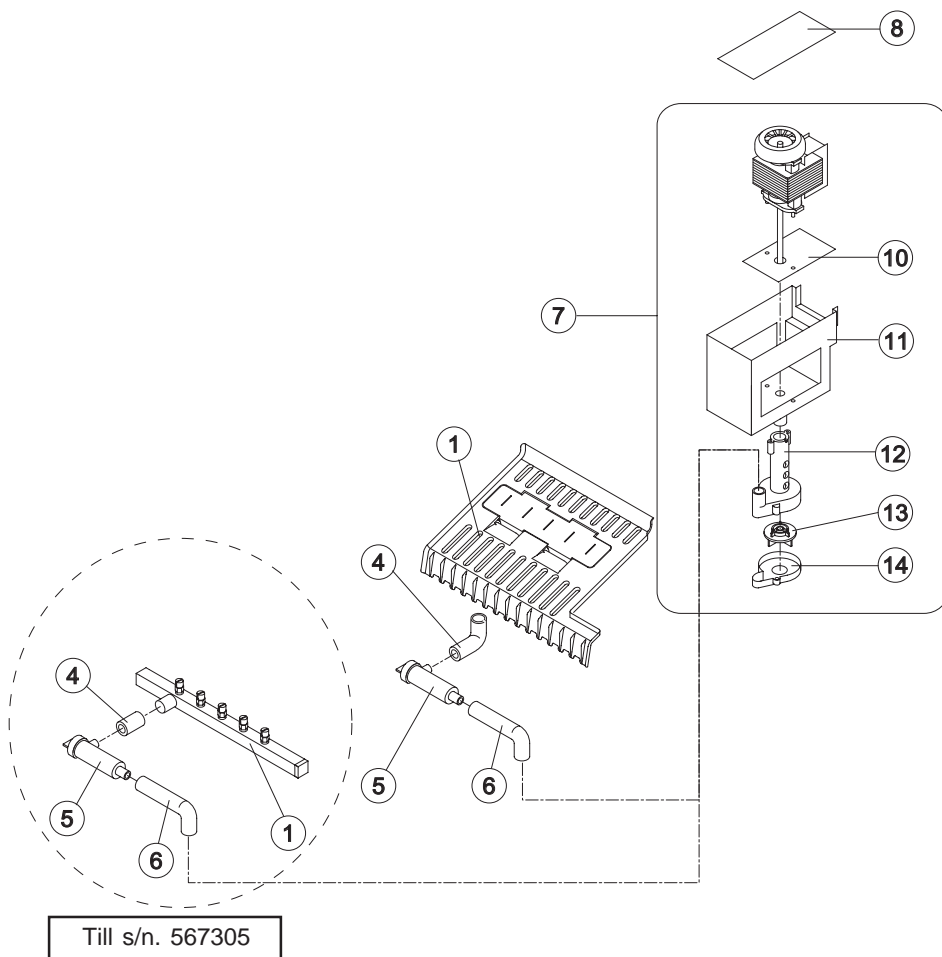


Ref.	Spare Description	Code
1*	Overflow Pipe	13028
2	Inner Basin	10064
3	Slide Keep Plate	10142
4*	Evaporator Feeding Pipe	C20535
5	Inlet Valve-Coil Connection Pipe	13156
6*	Overflow Pipe	C13045
7	Water Outlet Nipple	10472
8	Gasket	13219
9	Water Coil	14099
10	Ice Cubes Slide	Current Version 10885
10	Ice Cubes Slide	Till s/n. 567305 K10626
11	Coil-Faucet Connection Pipe	13156
12	Tap Feeding Pipe	14102
13	Foamed Bin	11016/E
14	Semirigid Polyethylene Gasket	13007
15	Bulbe Thermostat Tube	20520
16	Bin Discharge Nut	10096
17	Bin Discharge Pipe	13044
18	Discharge Manifold	C10121
19	Dispenser Water Discharge Pipe	13043
20	Tap	20195
21	Coil Covering Grid	22188
22	Flags ABS Support	Current Version 10530
23	Rod With Flags	Current Version 10532
24	Panel with Flags	Till s/n. 380376 K10532
25	Fixing Screw	Till s/n. 380376 20009

Rev. 14 - 12/03/2019



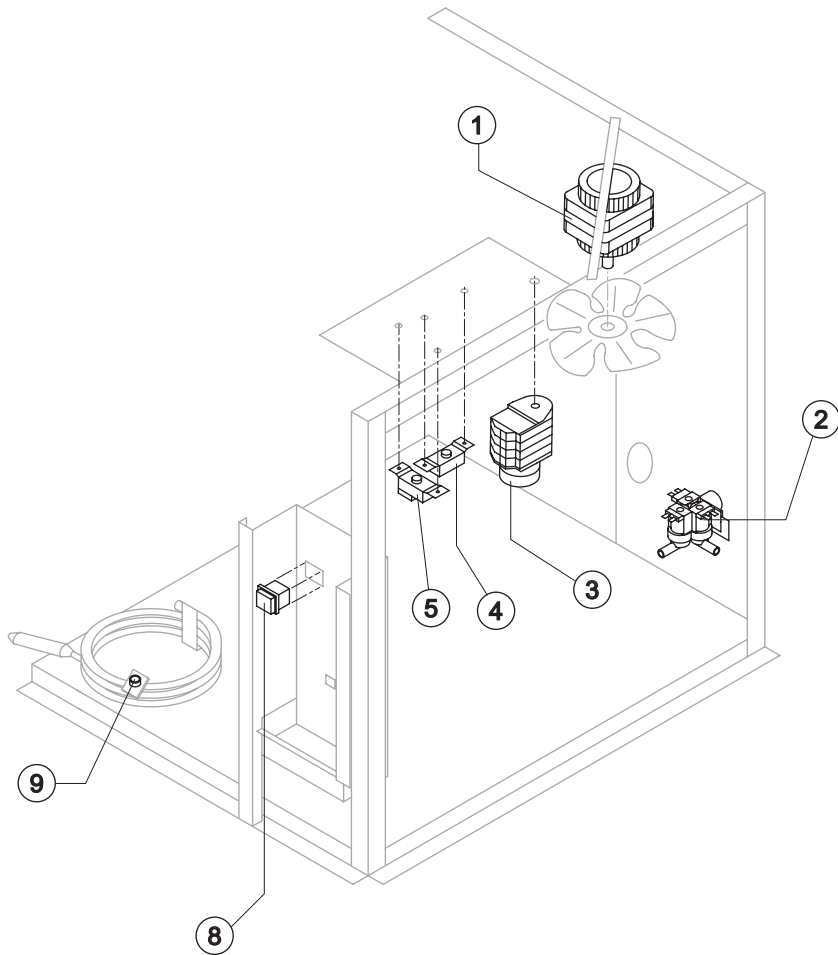
Rev. 14 - 12/03/2019



Rif.	Descrizione Ricambio		Codice
1*	Sprayers Bar Assembly	Current Version	10885
1*	Sprayers Bar Assembly	Till s/n. 567305	K10626
4	Filter-Sprayers Bar Connection Pipe	Current Version	13005
4	Filter-Sprayers Bar Connection Pipe	Till s/n. 567305	13056
5*	Pump Filter		10139
6	Pump-Filter Connection Pipe		13055
7*	Pump Assy	Current Version	See Table
8	Pump Cover		10647
10	Heat Dissipator		22430
11	Pump Motor Box		10073
12	Pump Body		10065
13	Pump Imeller		10066
14	Diffusor		10067

Ref. 7* - Pump Assy

Tension	Code Current Version	Code Till s/n. 410297
220-240V ~ 50Hz	RC23858	RC23076
220-230V ~ 60Hz	C23892	C23270
110-115V ~ 60Hz	-	C23271



Ref.	Spare Description	Code
1	Fan Motor	Till s/n. 410297 See Table
2*	3 Ways- Water Inlet Valve	See Table
3*	Timer	See Table
4*	Bin Thermostat	R23005
5*	Evaporator Thermostat	R23591
8*	Green Light Switch (on-Off)	23327
9*	Safety Thermostat	C23114

Ref. 1 - Fan Motor

Tension	Code
220-240V ~ 50Hz	23029
220-230V ~ 60Hz	23029
110-115V ~ 60Hz	23683

Ref. 2* - 3Ways- Water Inlet

Tension	Code
220-240V ~ 50Hz	23144
220-230V ~ 60Hz	23144
110-115V ~ 60Hz	23269

Ref. 3* - Timer

Tension	Code
220-240V ~ 50Hz	23247
220-230V ~ 60Hz	231077
110-115V ~ 60Hz	23258